

TK

TECHNICAL GUIDANCE

DIR110NN TANK SIDE INDICATOR

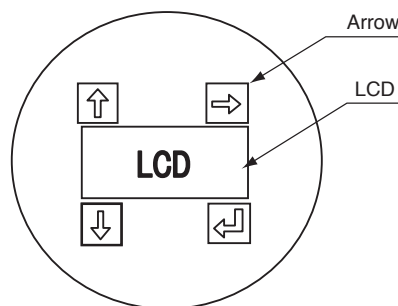
■ GENERAL

DIR110NN is a tank side indicator for tank gauges.
 Connected to Tokyo Keiso's tank top servo operated tank gauge FW9000NN series, DIR110NN indicates liquid level, temperature and other operation status. Required data for tank related are displayed on it at the tank side, resulting in easier tank control and management with time saving.
 In addition to indicating functions, maximum 6 points relay output are prepared. This function makes easier connection to higher level computer and/or peripheral equipments.
 By accessing magnet sensors, shown as arrows on the indicator, various data are pre-settable for operating FW9000NN.

■ STANDARD SPECIFICATION

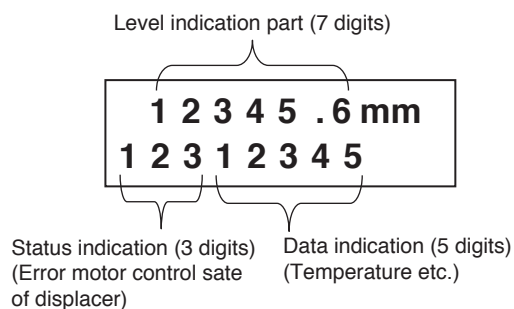
- CONNECTABLE TRANSMITTER
 - : Servo operated tank gauge FW9000NN series made by Tokyo Keiso Co., Ltd. which has standard serial data coded output.

- Indication part

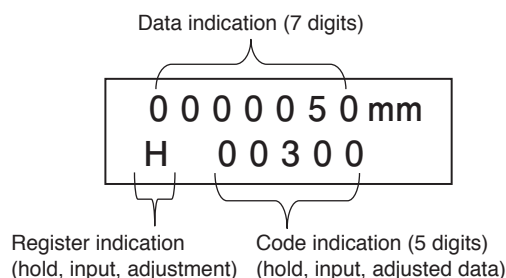


- Details of LCD presentation

- Operation mode



- Parameter mode

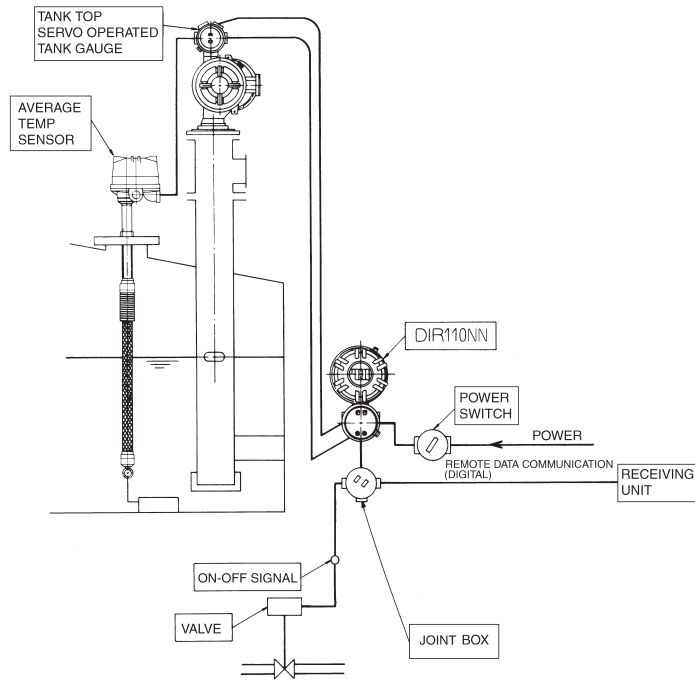


- ADDITIONAL FUNCTION
 - : Relay output(prepared in DIR111NN□)
 Relay contact output, up to 6 points, is prepared. These contacts are used for control of tank peripheral instrument, such as valves, remotely from control room through communication line via FW9000NN.
- OUTPUT Number of contact : up to 6
 (if 2 contacts in FW9000NN are used, 4 contacts are allowed to use in DIR111NN)
 - Contact : SPDT(1a1b)
 - Capacity : 250 V AC/3A, 30 V DC/3A (resistive load)
- INPUT Number of contact : up to 6
 Contact type : semiconductor type/
 mechanical type
 Semiconductor type : ON resistance; less than 500Ω
 ON voltage ; less than 1.5 V
 ON current ; approx.5 mA
 OFF resistance ; > 100 kΩ
 OFF voltage ; less than 12 V
 Mechanical type : rating 30 V DC/10 mA
- CONSTRUCTION
 Flame proof construction : ExdIICT6
 (TIIS certification TC14584)
- POWER SUPPLY : 100-240 V AC, 50/60Hz
- CABLE ENTRY : Max.4 pieces Nominal dia.1/2 to 1 inch
 At least 1/2 inch entry is At least 1/2 inch entry is necessarily assigned at one place
 G (=PF) or NPT (=F)
- CABLE TERMINATION : Plug type terminal connection (terminal No. to be referred to Approval drawing)
- POWER CONSUMPTION : 20 VA
- AMBIENT TEMPERATURE : -40 to +60 degC (-20 to +55 degC: TIIS)
- INSTALLATION : On to 2 inches pipe
- HOUSING MATERIAL : Aluminum casting (AC2A)
- MASS : 10 kg

MODEL CODE

Model code		Description
DIR11		
Additional function	0	Indication only
	1	Relay input-output
Construction	NNW	Weather proof
	NNE	Flame proof

APPLICATION

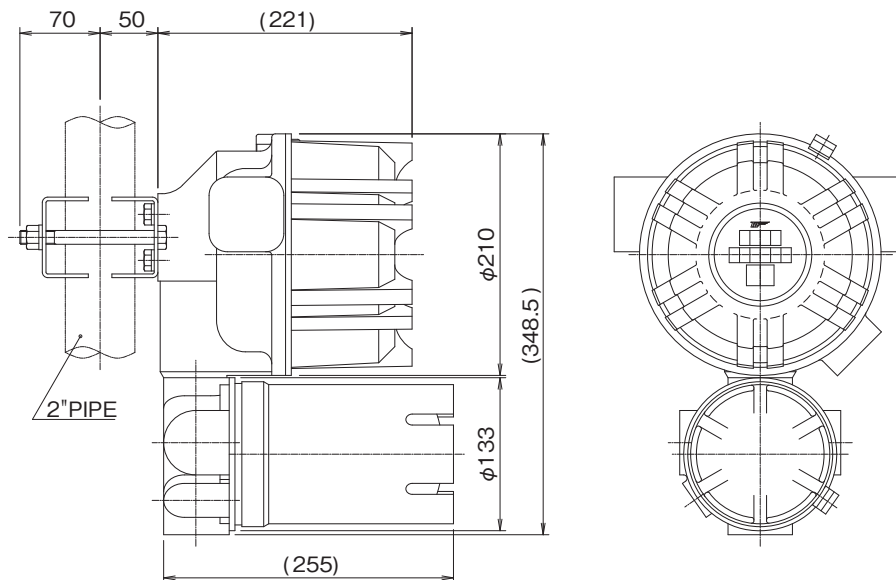


ORDERING INFORMATION

Specify following items for your inquiry or ordering.

Model code	DIR11□NN□
Cable entry	<input type="checkbox"/> G Screw <input type="checkbox"/> NPT Screw
Cable glands	<input type="checkbox"/> to be included <input type="checkbox"/> to be excluded -----> Cable diameter__mm
Tank gauge	<input type="checkbox"/> FW9000NN
Number of input-output points of relay contact	Output__points Input__points
Specify others if required	

DIMENSION



* Specification is subject to change without notice.

TOKYO KEISO CO., LTD.

Head Office : Shiba Toho Building, 1-7-24 Shibakoen, Minato-ku, Tokyo 105-8558

Tel : +81-3-3431-1625 (KEY) ; Fax : +81-3-3433-4922

e-mail : overseas.sales@tokyokeiso.co.jp ; URL : http://www.tokyokeiso.co.jp

