



# TECHNICAL GUIDANCE

For High level alarm  
(High level, Overflow, Overfilling)

## TAN-M1600-RP

Compact annunciator unit

### GENERAL

TAN-M1600-RP is an annunciator unit for high level alarm monitors, such as a tanker and a products carrier. A high level alarm and overflow alarm system is constituted in combination with FP-7091S-T and LIDEC high level alarm switch.

The level alarm of a maximum of 16 points can be processed with compact housing of panel mounting type with the newest electronic technology.

It is optimum as the standalone unit of high level alarms (overflow) required by each shipping classification such as NK and USCG.

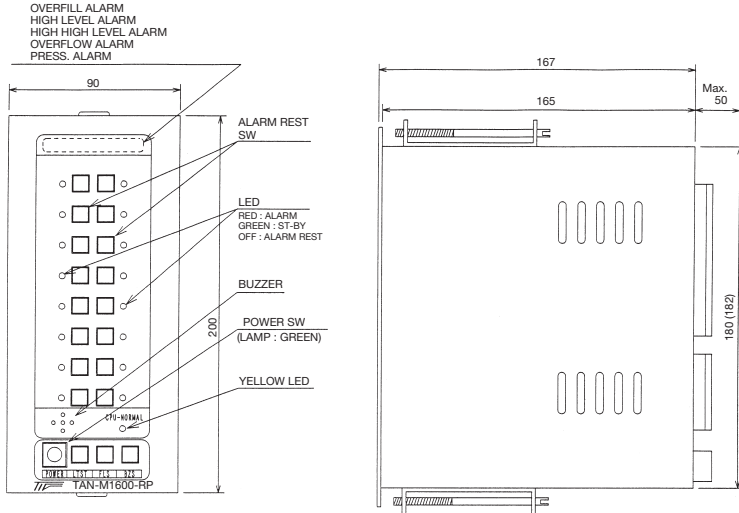


### STANDARD SPECIFICATION

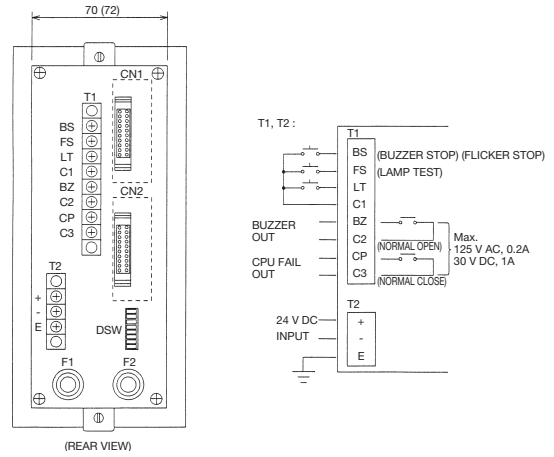
- Number of inputs : Up to 16 points. (Connector joint)
- Input signal : 1) Non-voltage contact, or  
2) Open collector (Photo coupler) contact
- Performance : The next action is carried out at the time of alarm generating.
  - 1) Predetermined LED on the front panel blinks. (Green changes to red.)
  - 2) A buzzer sounds.
  - 3) A rear-face external buzzer contact is set to ON.
  - 4) The contact for external alarm lamps is set to ON.The above-mentioned 1) can be stopped by ON of the flicker stop button (FLS) on the front panel, or a rear-face flicker stop contact. And the above 2) and 3) can be stopped by ON of the buzzer stop button (BZS) on the front panel, or a rear-face buzzer stop contact, and 4) corresponds to the action of an on-site contact.
- Alarm operation pattern : It is based on JISF0412 AM2.
- Delay timer of operation : Arbitrary setup of 0 to 15 seconds

- Other indications : 1) CPU operation confirming LED (Yellow).  
2) Power supply ON display lamp (Green)
- Output: : 1) The contact output for buzzers. (SPST, 125 V AC, 0.4A/30 V DC, 2A\*)  
2) CPU trouble self-diagnosis contact output. (SPST, 125 V AC, 0.4A/30 V DC, 2A\*)  
\* M3.5 screw terminal connection.  
3) The contact output for external alarm lamps. (Connector joint, a 16-point independent contact)
- Power supply: : 24 V DC, +/-10%.
- Power consumption : About 10 VA
- Installation : Panel installation  
(Installation in safety area and exclusive fitting to be used)
- Ambient temperature : -10 to +60°C
- Ambient humidity : 20 to 95% RH (No dew condensation)

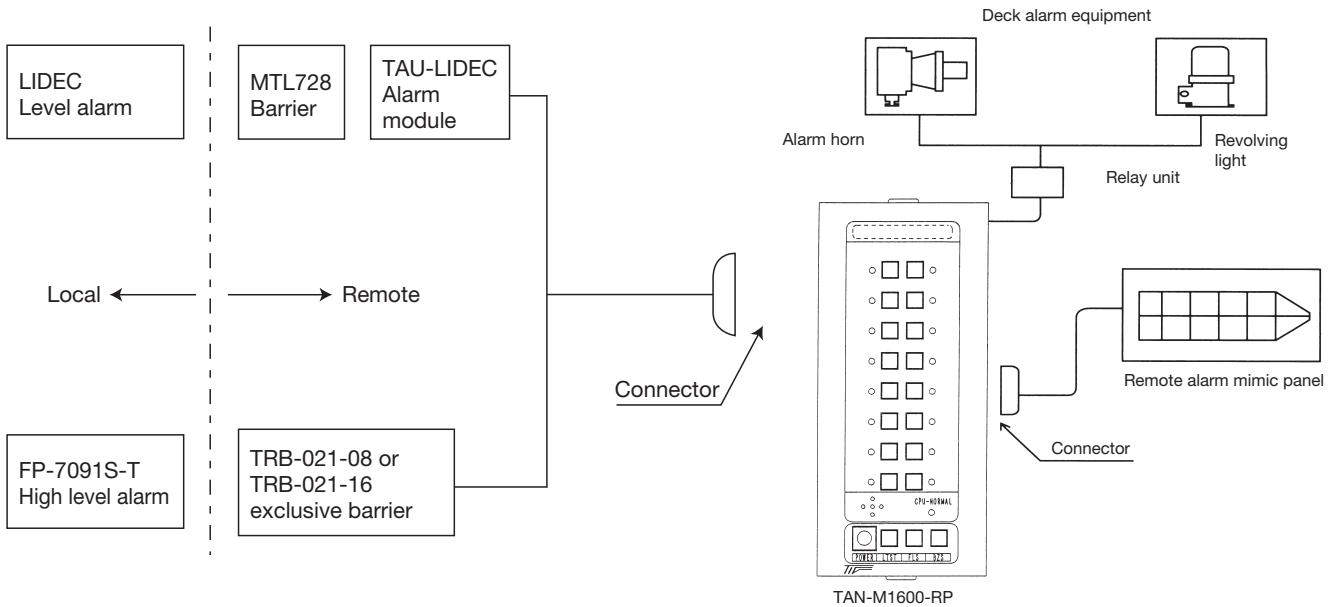
**EXTERNAL DIMENSION**



**TERMINAL ARRANGEMENT**



**SYSTEM CONFIGURATION**



\* Specification is subject to change without notice.

**TK TOKYO KEISO CO., LTD.**

Head Office : Shiba Toho Building, 1-7-24 Shibakoen, Minato-ku, Tokyo 105-8558  
 Tel : +81-3-3431-1625 (KEY) ; Fax : +81-3-3433-4922  
 e-mail : overseas.sales@tokyokeiso.co.jp ; URL : http://www.tokyokeiso.co.jp